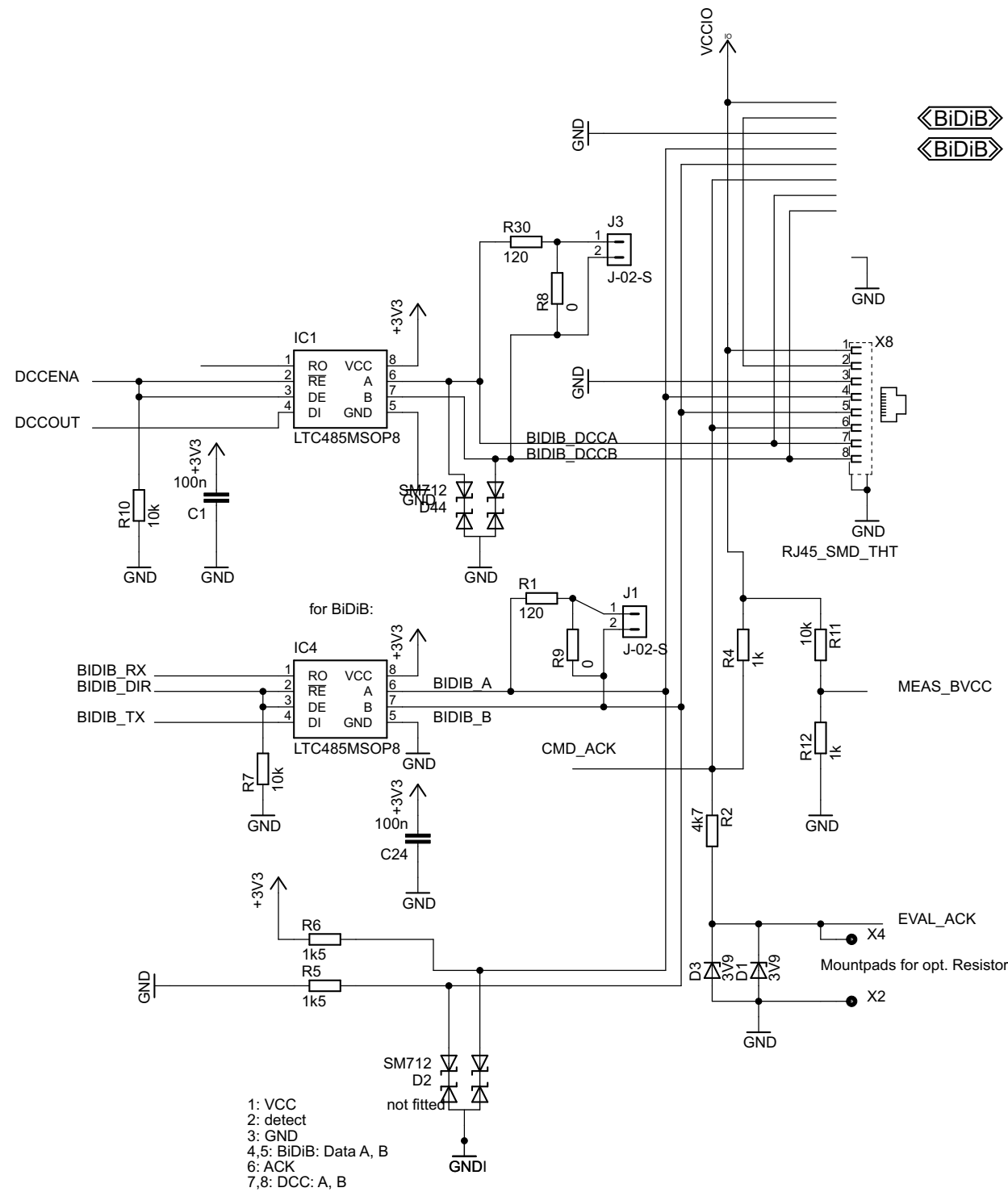


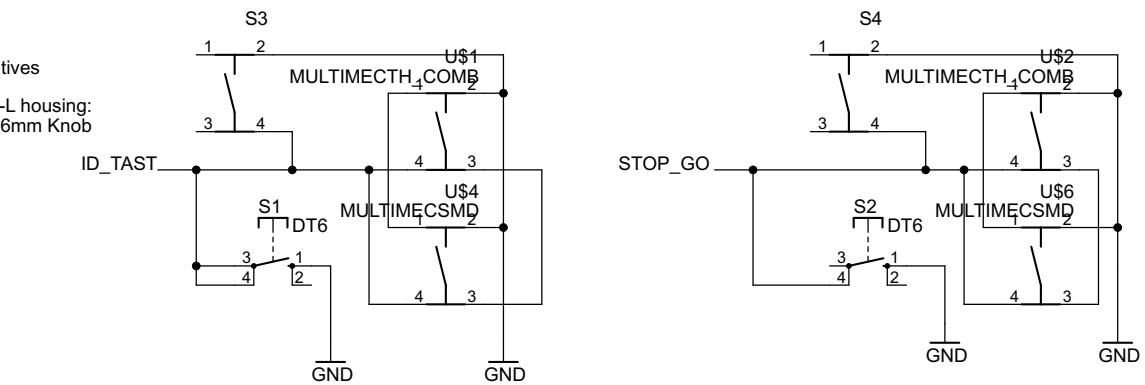
BiDiB-IF2

BiDiB

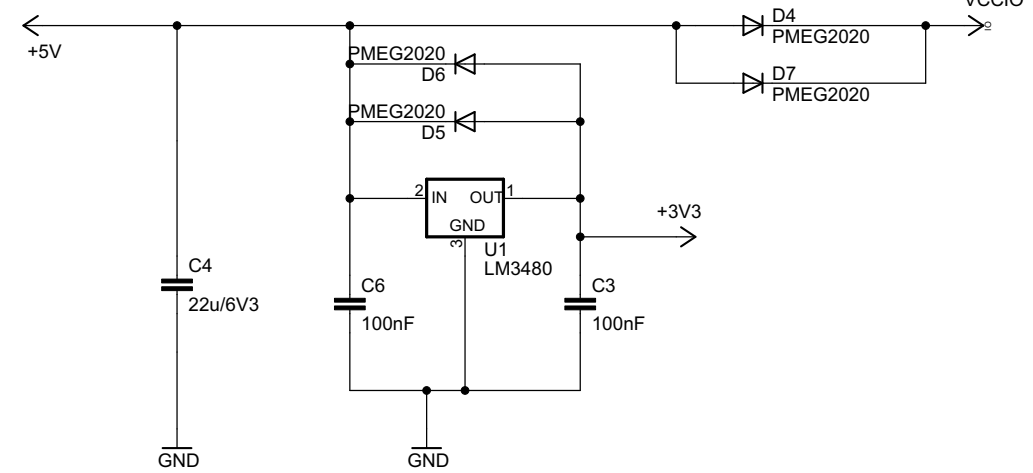


Taster

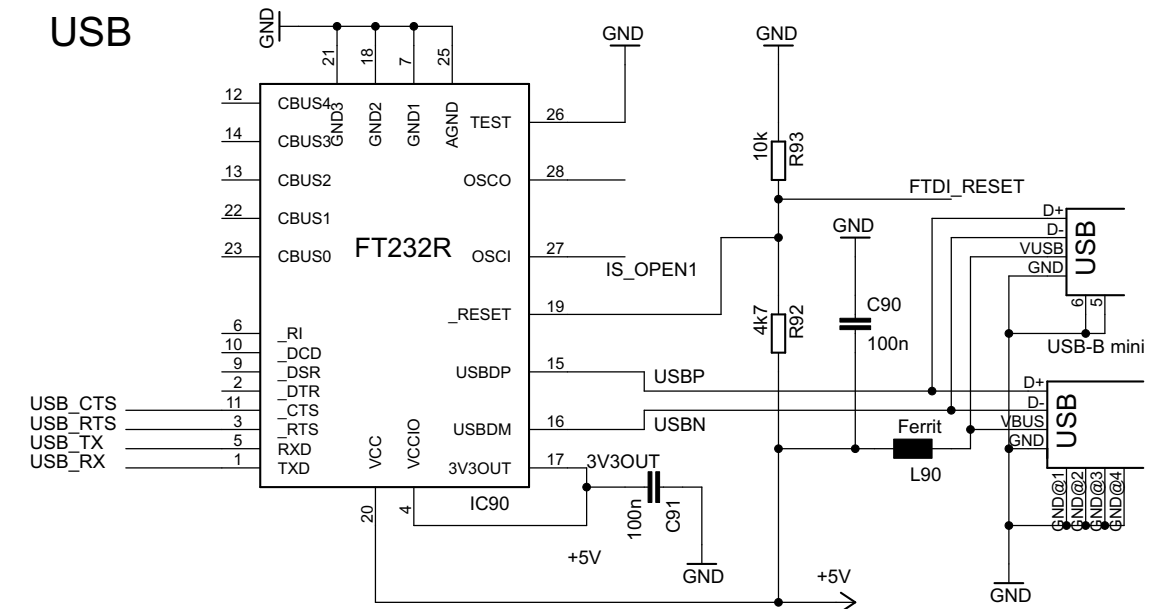
different alternatives
for pactec CNR-L housing:
use MEC and 16mm Knob



Power



USB

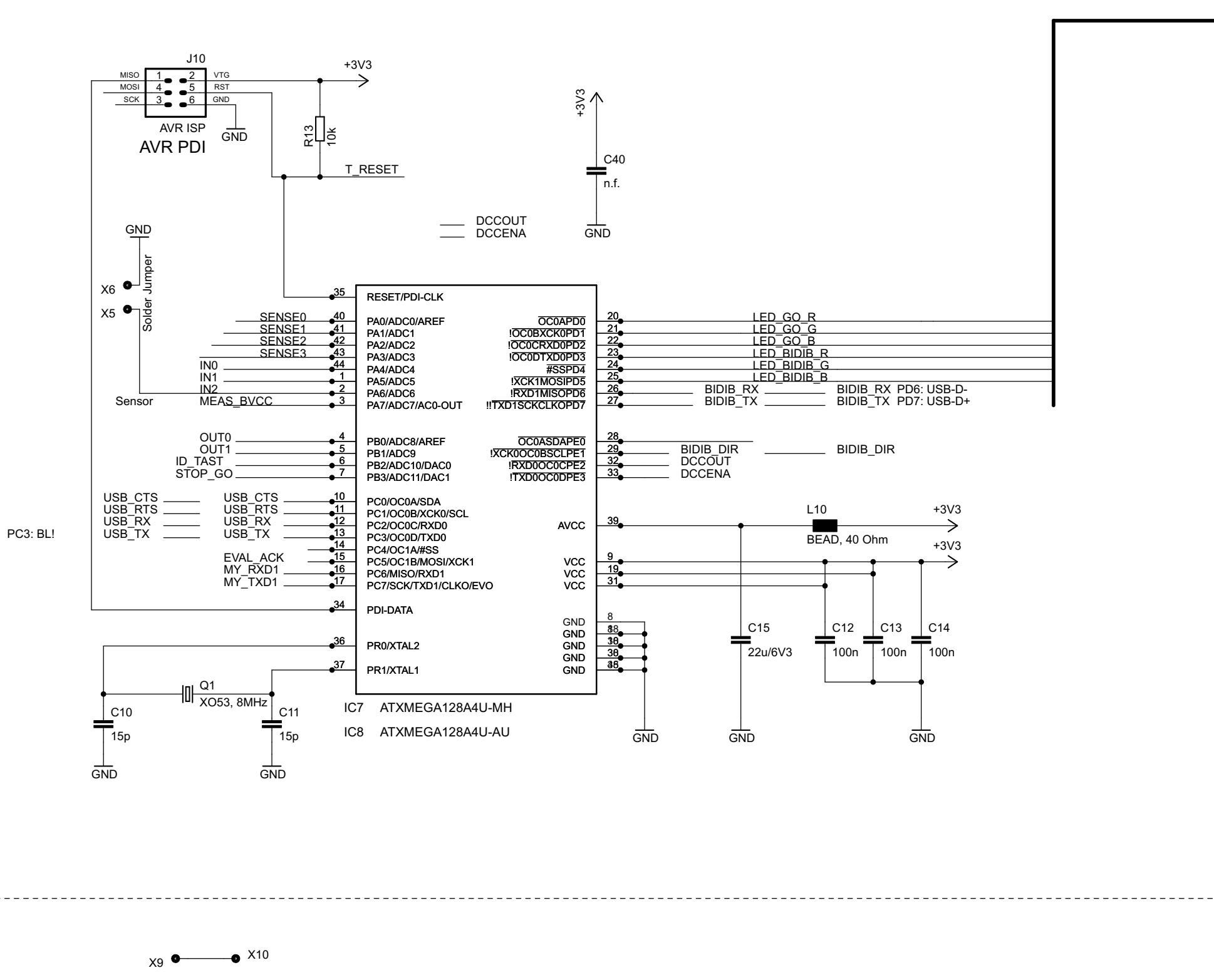


V1.2 2016-05-02 Changed LED to Osram LTRB R8SF
2016-12-22 Nacharbeit RX TX am USB vertauscht.
V1.3 2017-01-20 Fix Error TX/RX

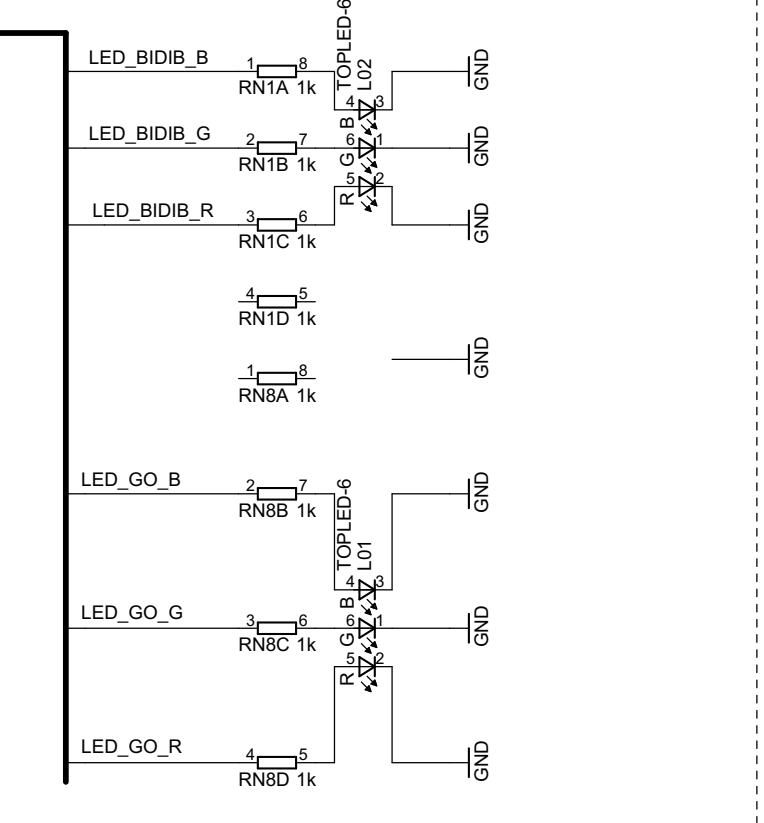
BiDiB-IF2_V1.3
06.03.2018 18:48:52
Sheet: 1/2

BiDiB-IF2

Prozessor



Status LEDs



FTDI DEBUG PORT (optional)

